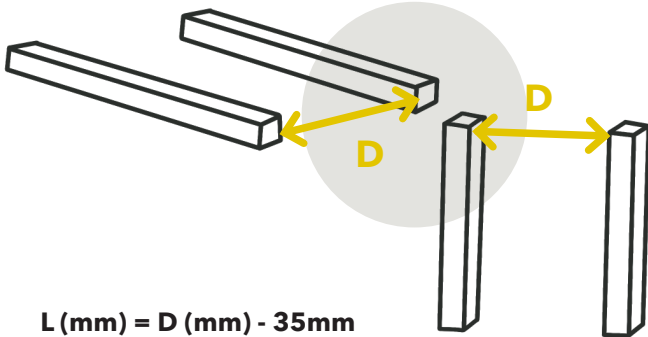


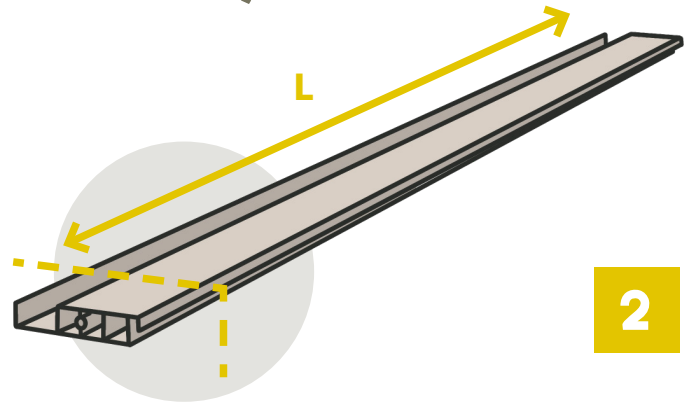
INSTALLATION OF THE BLADES (WOOD OR ALUMINIUM)

1

Measure the space between the two supports (beams, joists, etc.) and then remove 35 mm; this allows the boards to be inserted with a 5 mm gap for expansion.



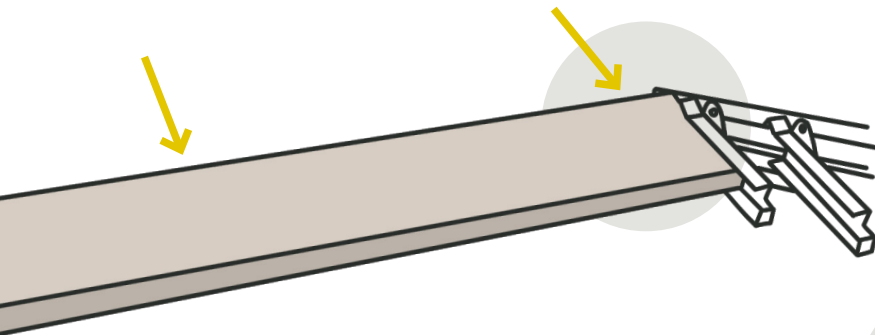
2



Cut this first blade to the L dimension measured in step 1
For aluminum: cut with a fine multi-tooth blade.
Remember to wear glasses and gloves.

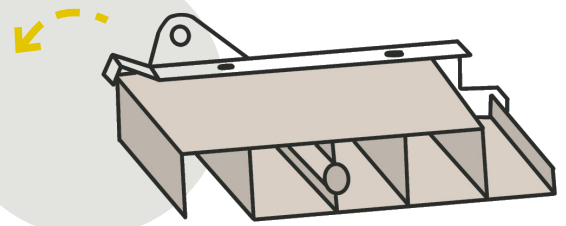
4

Close the clips on each mechanism by hand or with a flat clamp. To avoid damaging the paint, feel free to place a cloth or a piece of paper between the blade and the pliers.



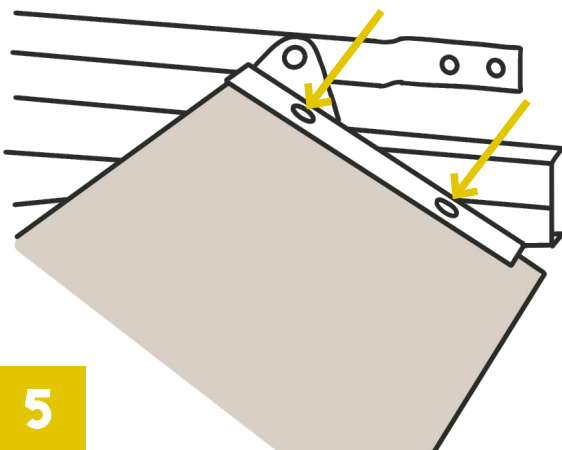
Insert the first blade, check for the 5mm gap by moving it sideways.

3



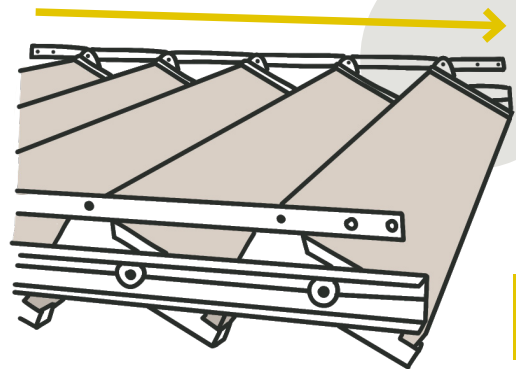
For safety, a fixing point on the top of the blade can be considered. You only need to add 2 screws per board on one end (for expansion).

5



If everything looks OK, repeat the operation to install all the blades.

6



Tip: Repeat the measurements regularly and adjust the length of the blades in case the structure is not perfectly parallel.