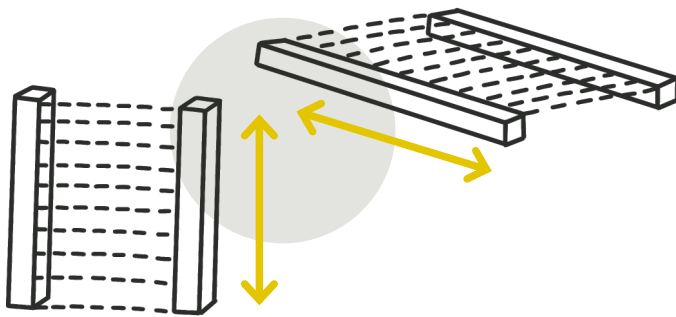


ASSEMBLY OF SUNDIY MECHANISMS

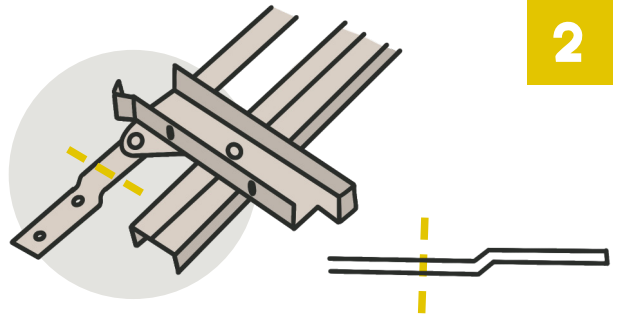
1

Build a vertical (windbreak) or horizontal (pergola) structure, or rehabilitate an existing structure.



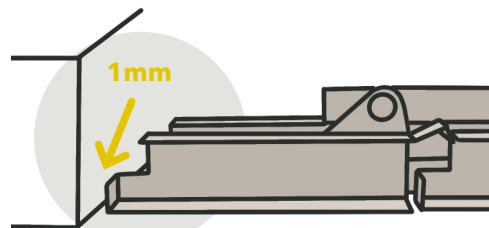
Cut the end (slightly bent side) of the first mechanism with a grinder or hacksaw.

2



3

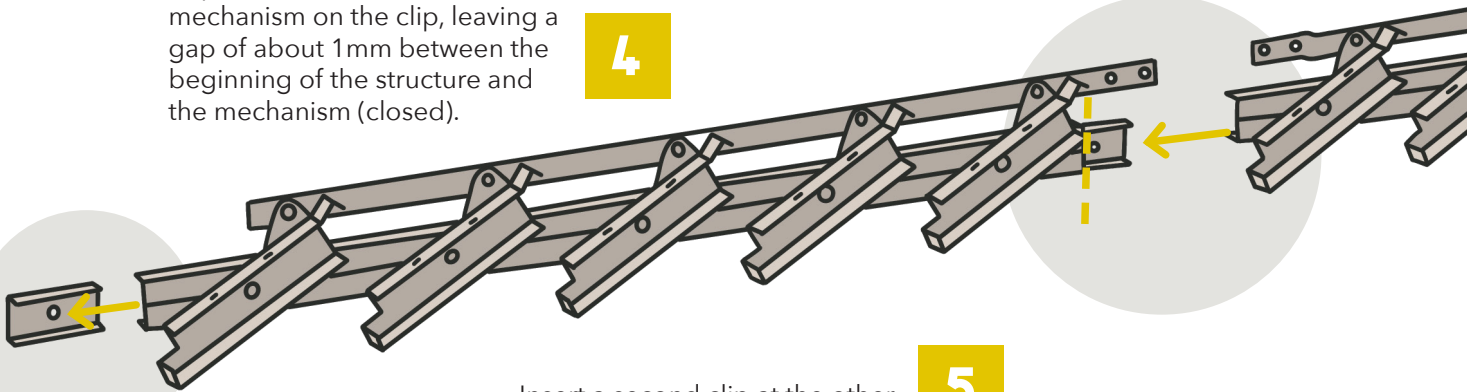
Fix the first clip to the starting point (e.g. against a wall) with a 5 diameter stainless steel screw.



Note: This set is only required for the starting mechanism of each bay.

Clip then slide the SUNDIY mechanism on the clip, leaving a gap of about 1mm between the beginning of the structure and the mechanism (closed).

4



5

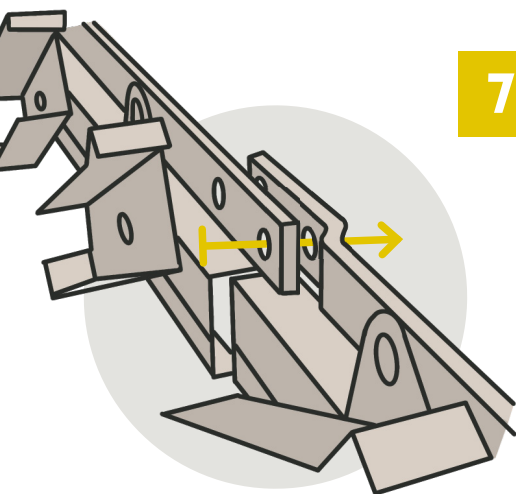
Insert a second clip at the other end of the previously attached mechanism, leaving it protruding by more than half. Fix it with a 5 diameter stainless steel screw.

Clip the second SUNDIY mechanism onto the protruding half of the clips.

6

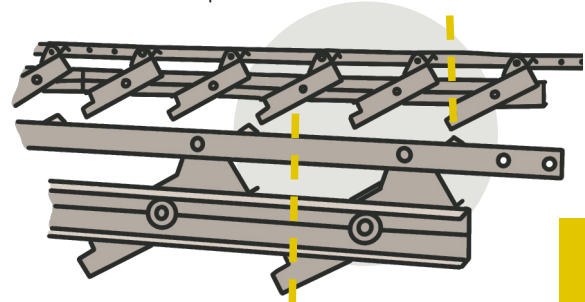
7

Join the two mechanisms with rivets (or bolts) taking care to position the completely straight part in front of the slightly bent part.



Continue the operation to the end of the span, then start again in symmetry.

Note: it may be necessary to cut the mechanism at the end of the span, the scrap will be reused as a starting point for the next span.



8